

# GLE/CNT-200

## Rugged & Customizable Serial Interface Controller / Protocol Converter

### Main Features

- Input/Output RS 232 / 422 interfaces
- Isolated input RS 422 interface
- Baud-rate selectable from 2400 to 921600
- Customizable firmware and software
- Protocol conversion (e.g. ASCII to Binary format)
- Interrogation of RS 232 / 422 sensors / devices
- Programmable bits selection / 32 bit TTL output port
- Rugged construction, small form factor
- Extended temperature & power supply range



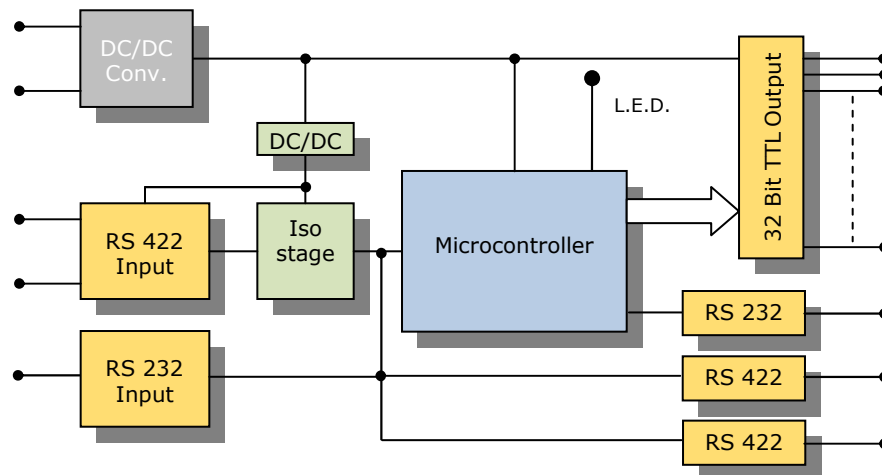
### Description

GLE/CNT-200 is a family of well proven, compact and rugged units able to parse parameters from a RS 232 / 422 data stream, format and send them to serial RS 232 / 422 outputs; e.g. parse and convert ASCII data from a NMEA GPS stream to binary and output them on a RS 232 i/f for further acquisition tasks.

An auxiliary dual RS 422 output i/f can be used to buffer the RS 232 input. Moreover, the unit can be programmed to interrogate a specific RS 232 / 422 sensor / device and/or to select up to 32 bits to drive a TTL logic port. A bi-color LED indicator shows lock or error status.

Custom firmware and software can be developed for particular needs. For example, different customized variants of GLE/CNT-2xx are used to support data acquisition tasks within the flight testing and certifications activities of various civil and military aircrafts, including EFA Typhoon.

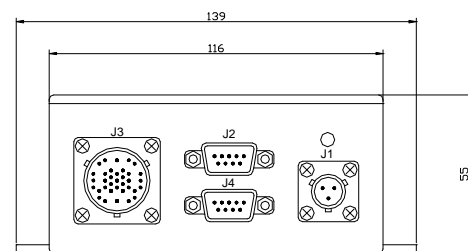
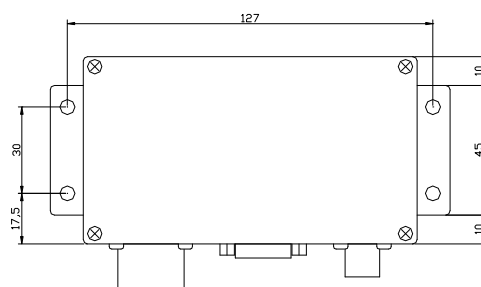
### Block Diagram



### Environmental Information

Power supply	19...35VDC; approx 1Watt
Enclosure	EMI shielded, electro-less nickel plated aluminum case, orange painted
Operating temperature range	operating: -40 ÷ +80°C
Humidity	0 ÷ 95% RH
Altitude	up to 65000 ft

### Mechanical dimensions



*Due to continuous developments, specifications are subject to change without prior notice.*

*This product is not intended for applications whose its failure to perform can be expected to cause damages to properties and/or persons and/or injury to human life.*

GreenLake Engineering Srl

the engineering branch of Instrumentation Devices

Via Acquanera 29 22100 COMO - Italy

ph +39.031.525.391 - fax +39.031.507.984 - info@greenlake-eng.com

[www.greenlake-eng.com](http://www.greenlake-eng.com)